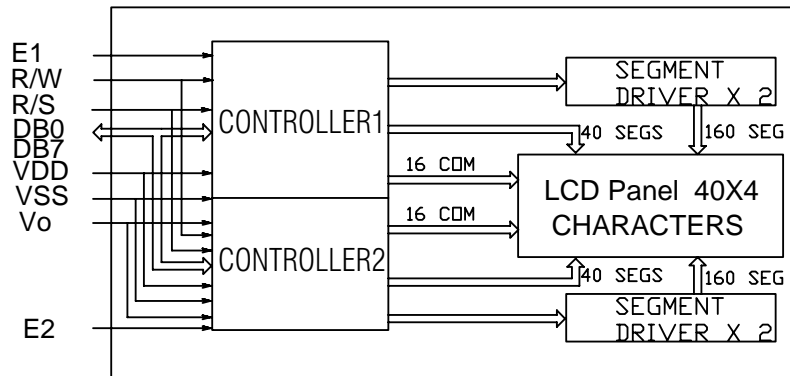
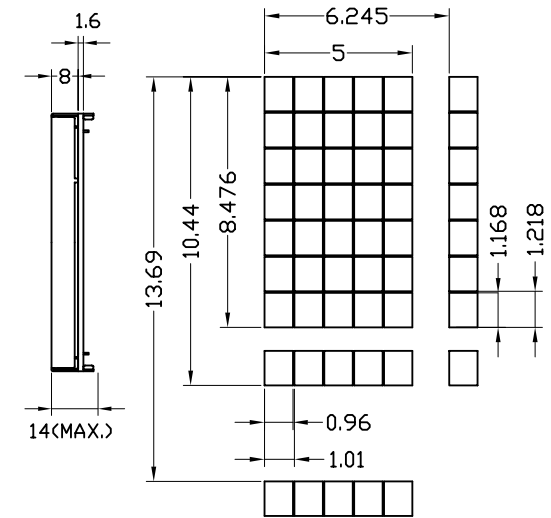
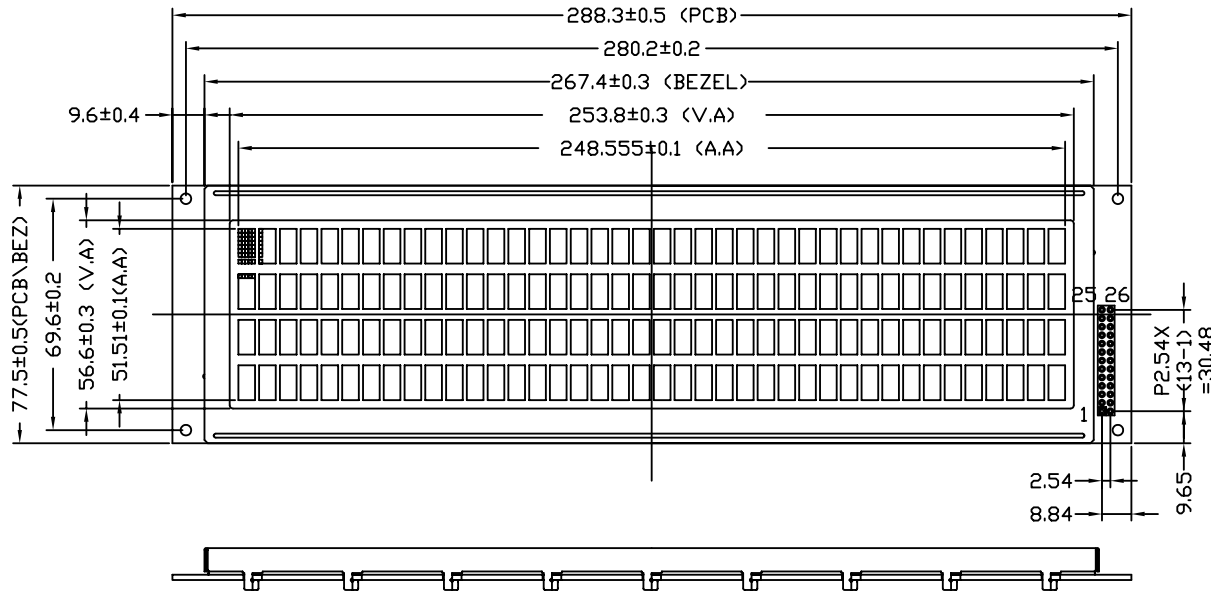




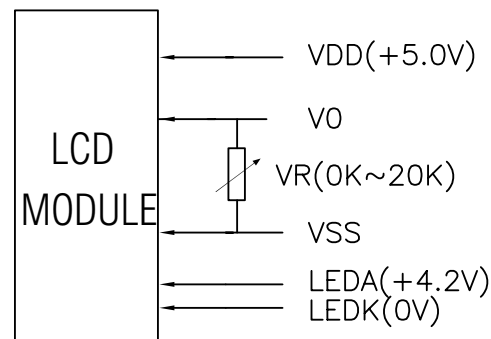
# CRYSTALIMAGE Display Technology

## KD-4004C

Unmarked tolerance ±0.3



\*S6A0069 OR EQUIVALENT



Pin No	Symbol	Pin No	Symbol	Pin No	Symbol
1	NC	10	VSS	19	DB4
2	NC	11	DB0	20	LEDK
3	E2	12	VSS	21	DB5
4	NC	13	DB1	22	VDD
5	R/W	14	VSS	23	DB6
6	NC	15	DB2	24	VDD
7	RS	16	VSS	25	DB7
8	VSS	17	DB3	26	LEDA
9	E1	18	VSS		