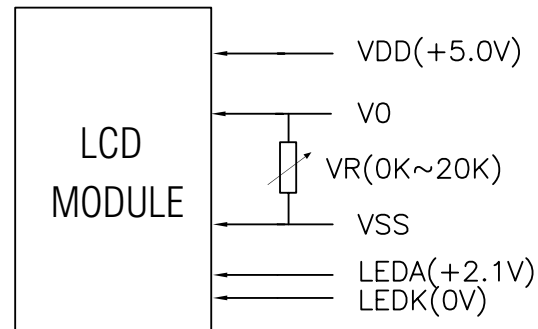
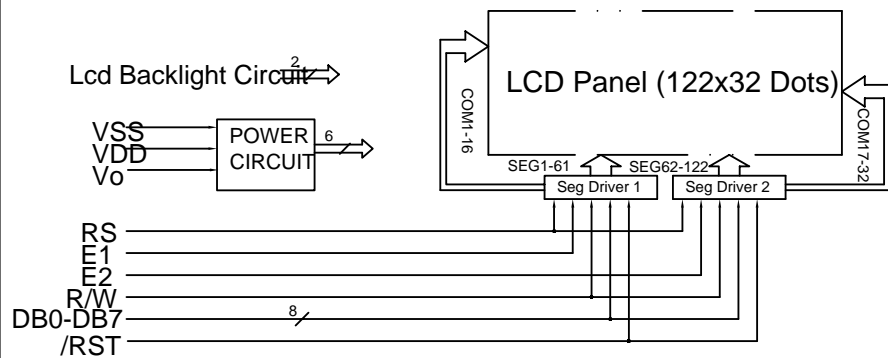
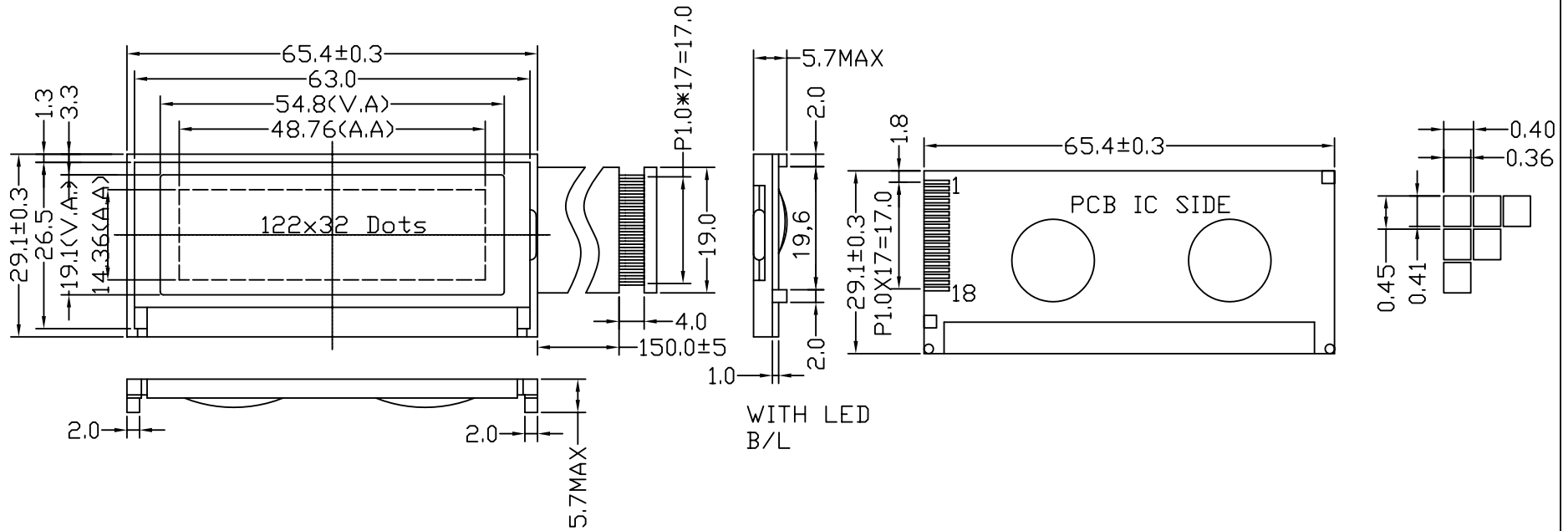


# CRYSTALIMAGE Display Technology

## RD-122032F

Unmarked tolerance  $\pm 0.3$



Pin No	Symbol	Pin No	Symbol
1	VDD	10	DB1
2	VSS	11	DB2
3	Vo	12	DB3
4	/RST	13	DB4
5	E1	14	DB5
6	E2	15	DB6
7	R/W	16	DB7
8	A0	17	LEDA
9	DB0	18	LEDK