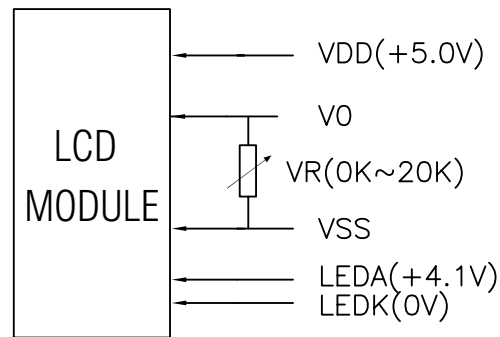
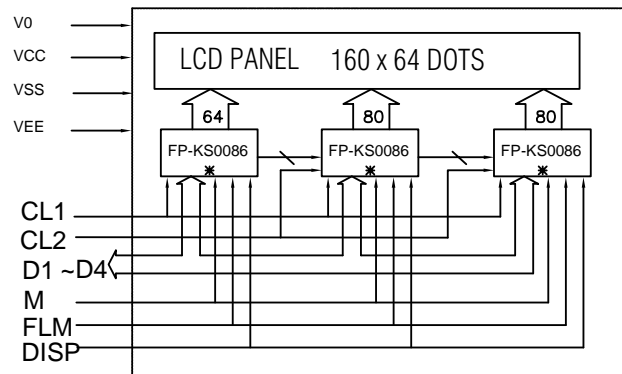
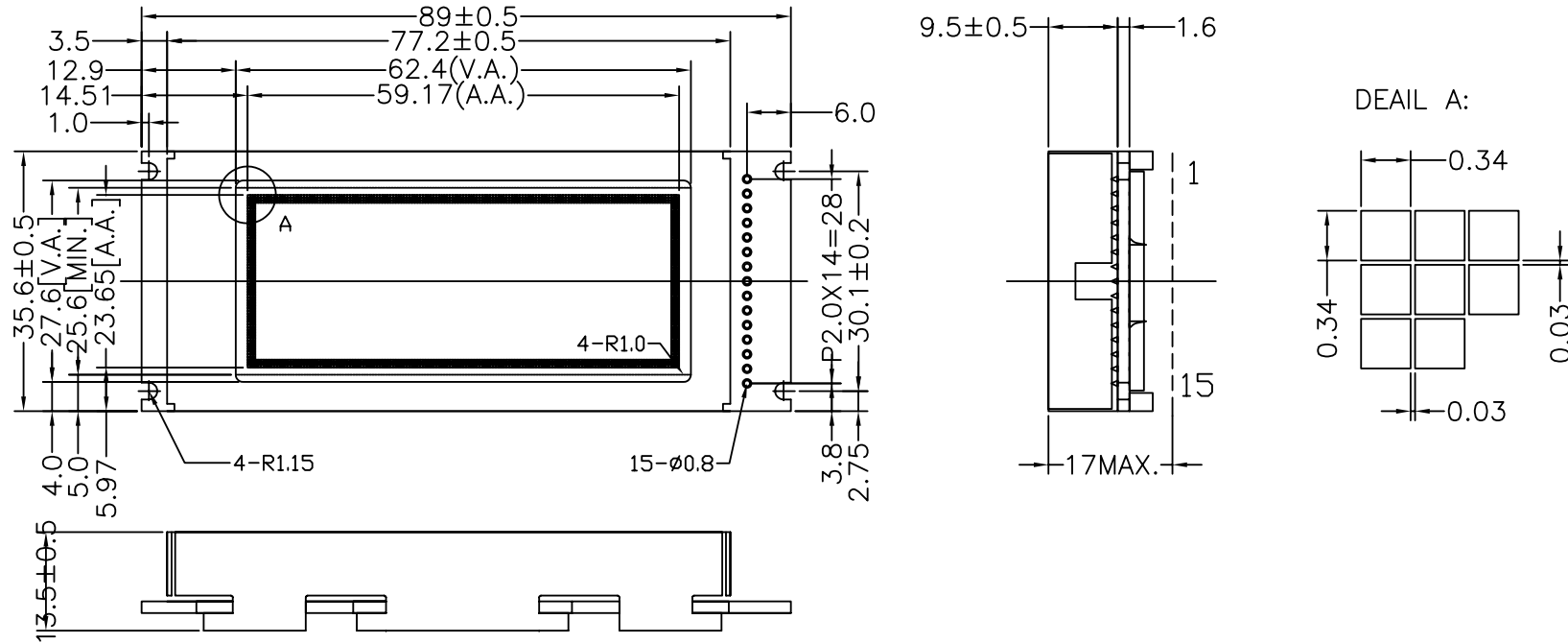




CRYSTALIMAGE Display Technology

RD-160064A

Unmarked tolerance ±0.3



Pin No	Symbol	Pin No	Symbol
1	FLM	9	D1
2	CL1	10	D2
3	CL2	11	D3
4	M	12	D4
5	V0	13	/DISPOFF
6	VCC	14	A
7	VSS	15	K
8	VEE		

*OR EQUIVALENT