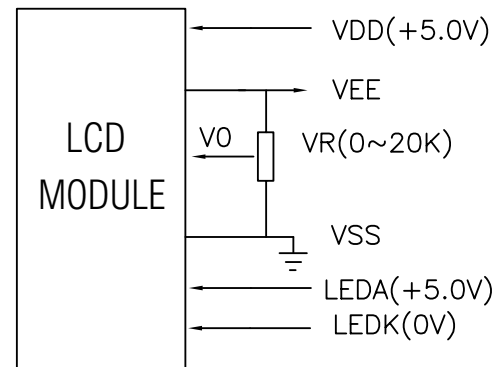
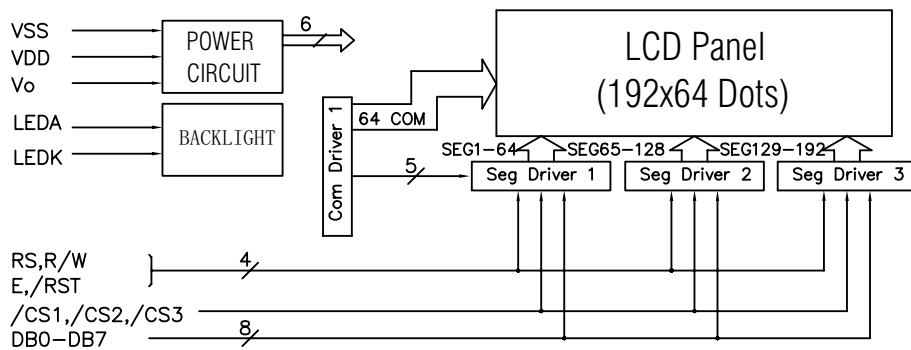
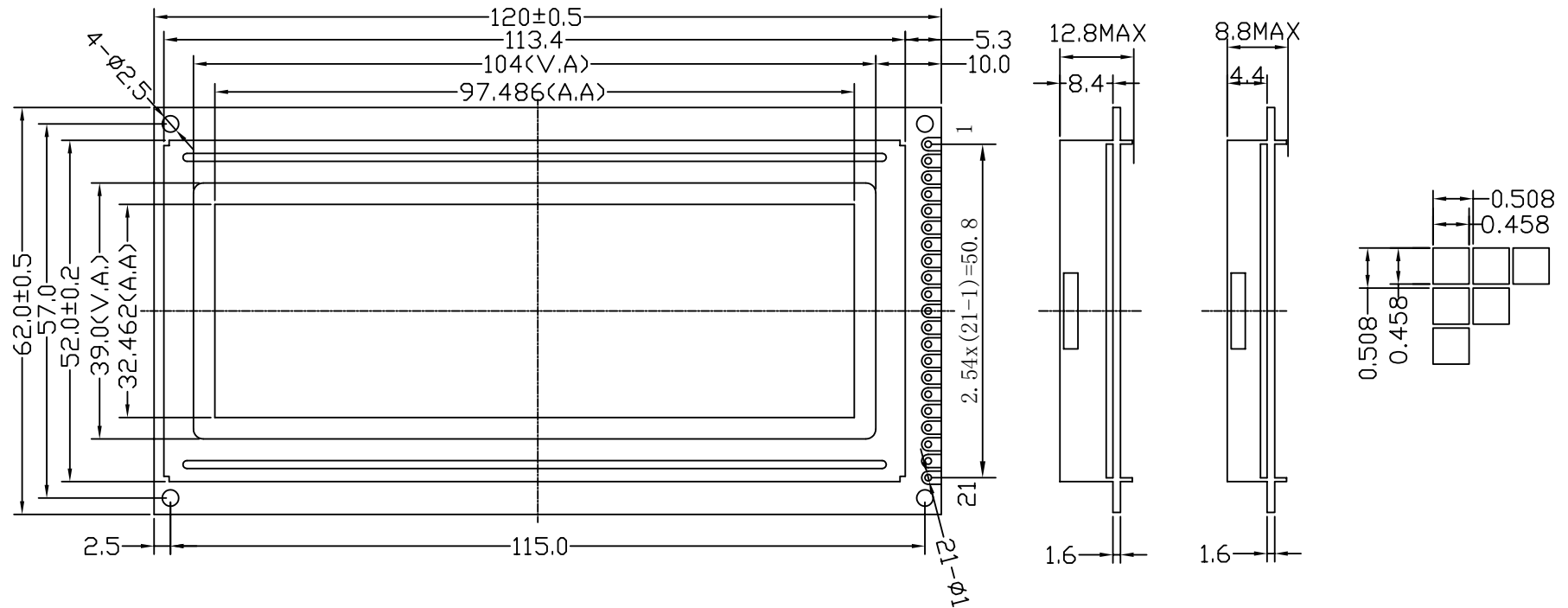


# CRYSTALIMAGE Display Technology

## RD-192064F

Unmarked tolerance ±0.3



Pin No	Symbol	Pin No	Symbol
1	VSS	11	DB3
2	VDD	12	DB4
3	V0	13	DB5
4	VEE	14	DB6
5	RS	15	DB7
6	R/W	16	/CS3
7	E	17	/CS2
8	DB0	18	/CS1
9	DB1	19	/RST
10	DB2	20	LEDA
		21	LEDK