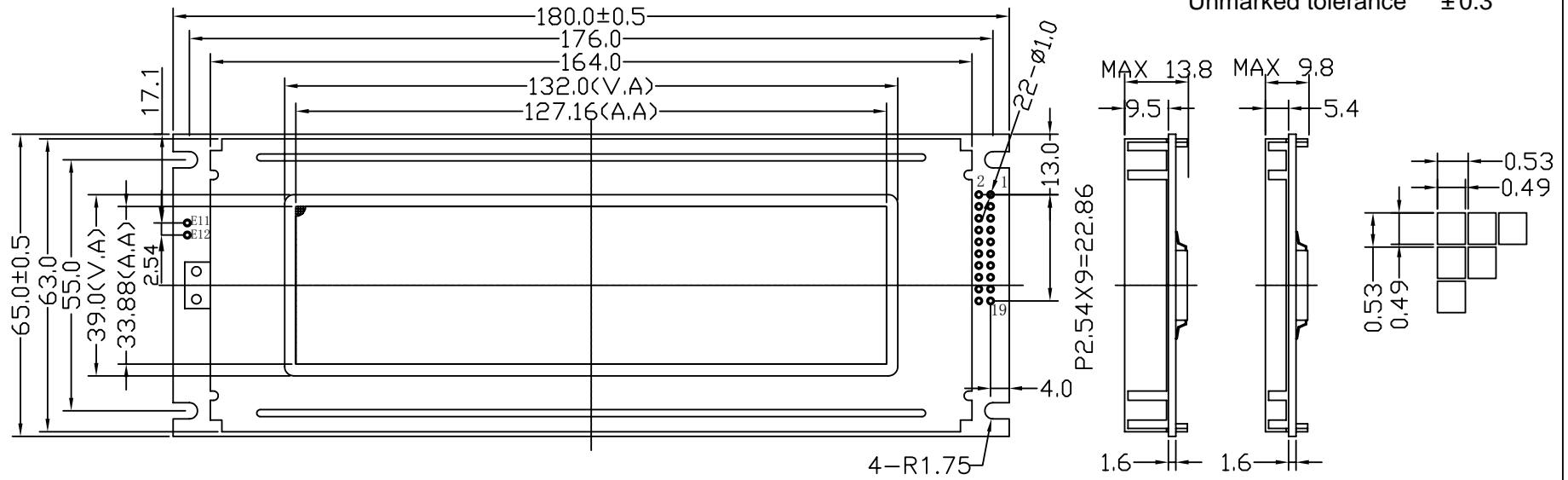


CRYSTALIMAGE Display Technology

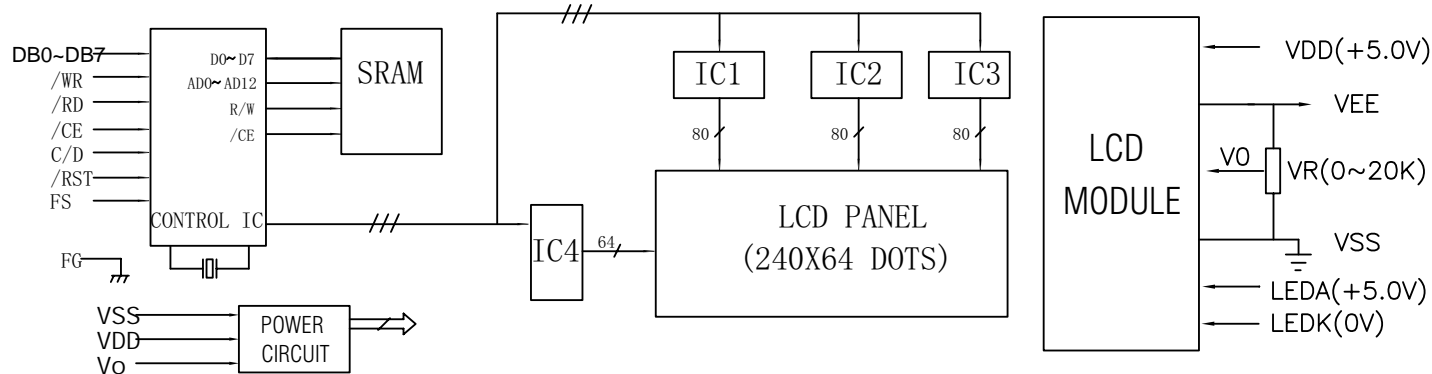
RD-240064A

Unmarked tolerance ±0.3



WITH LED
B/L

WITH EL
B/L
□ WITHOUT
B/L



Pin No	Symbol	Pin No	Symbol
1	FG	12	DB1
2	VSS	13	DB2
3	VDD	14	DB3
4	VO	15	DB4
5	/WR	16	DB5
6	/RD	17	DB6
7	/CE	18	DB7
8	C/D	19	FS
9	NC	20	VEE
10	/RST	EL1	LEDA
11	DB0	EL2	LEDK