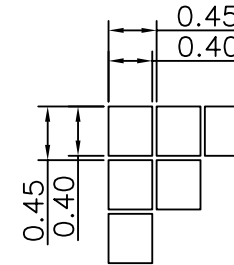
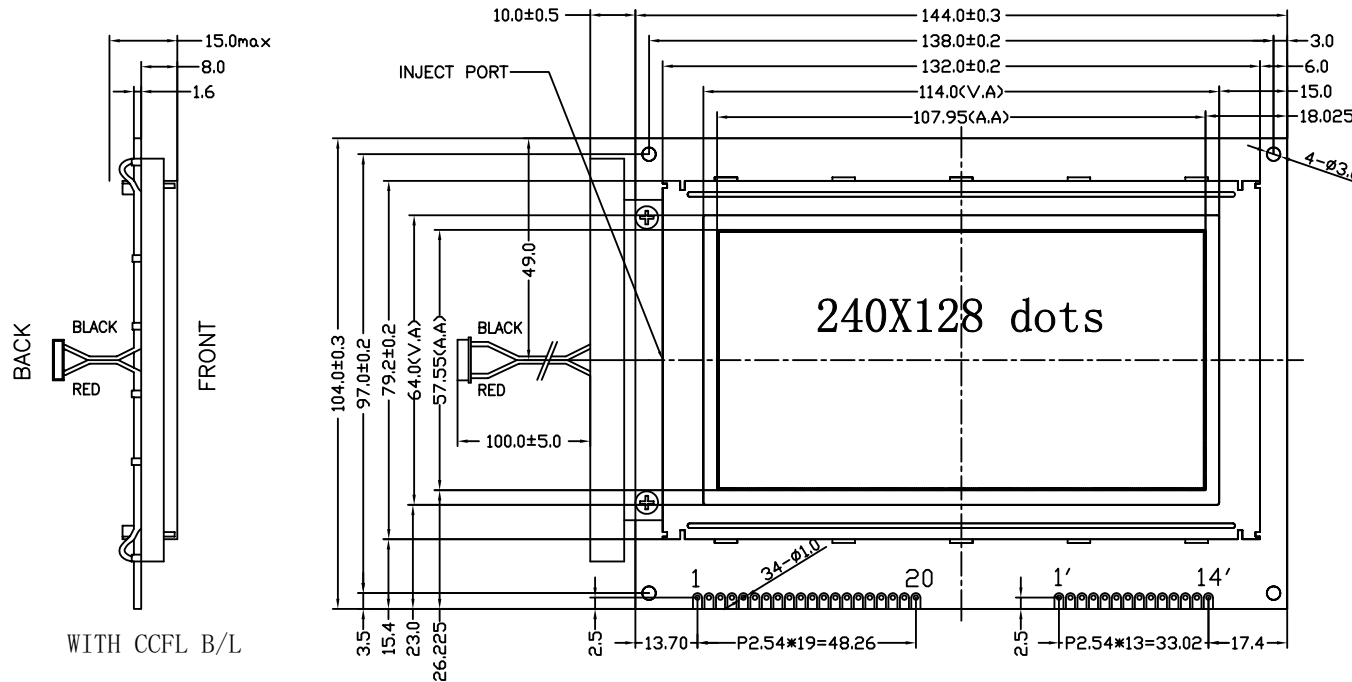


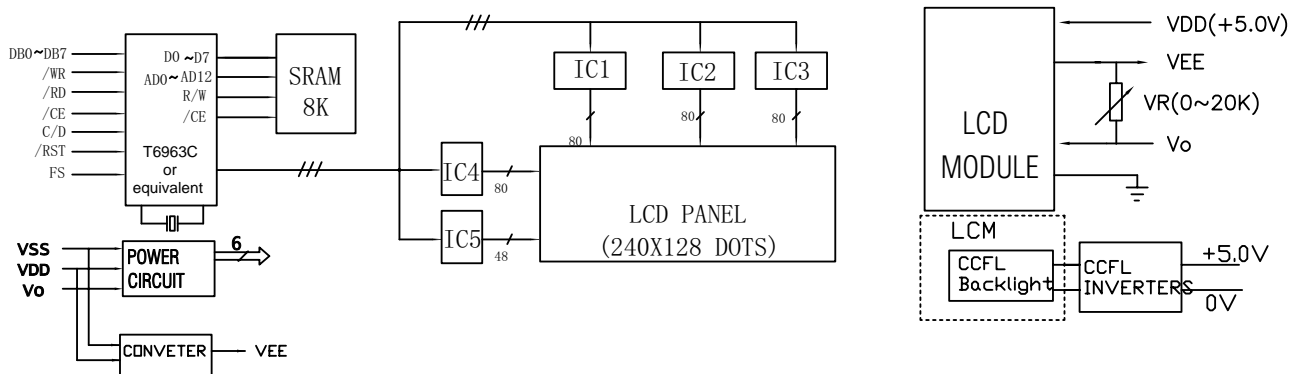
# CRYSTALIMAGE Display Technology

## RD-240128A

Unmarked tolerance  $\pm 0.3$



Pin No	Symbol	Pin No	Symbol
1'	FRM	8'	DB0
2'	CL2	9'	DB1
3'	CL1	10'	DB2
4'	M	11'	DB3
5'	VDD	12'	V0
6'	VSS	13'	NC
7'	VEE	14'	NC



Pin No	Symbol	Pin No	Symbol
1	VSS	11	DB4
2	VDD	12	DB5
3	Vo	13	DB6
4	C/D	14	DB7
5	/RD	15	/CE
6	/WR	16	/RST
7	DB0	17	VEE
8	DB1	18	FS
9	DB2	19	NC
10	DB3	20	NC