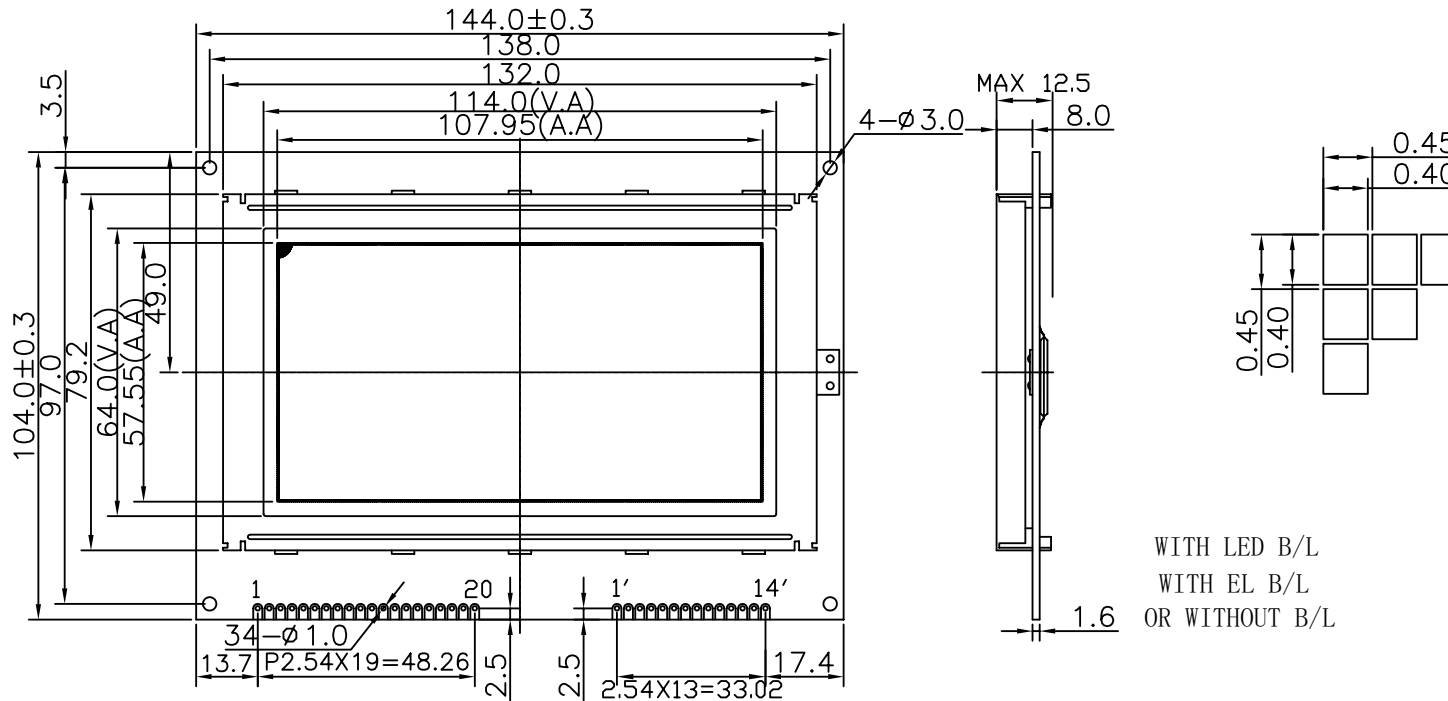




# CRYSTALIMAGE Display Technology

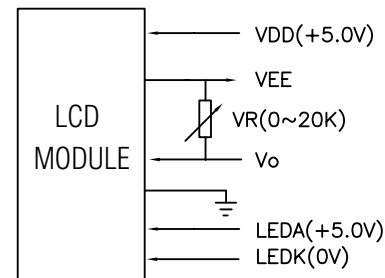
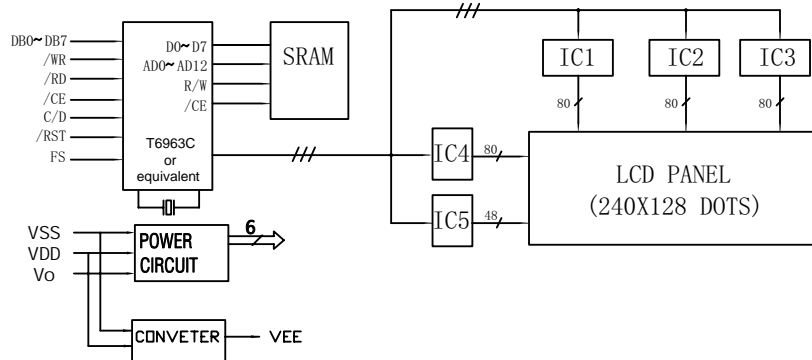
## RD-240128C

Unmarked tolerance ±0.3



WITH LED B/L  
 WITH EL B/L  
 OR WITHOUT B/L

Pin No	Symbol	Pin No	Symbol
1'	FRM	8'	DB0
2'	CL2	9'	DB1
3'	CL1	10'	DB2
4'	M	11'	DB3
5'	VDD	12'	Vo
6'	VSS	13'	LEDA
7'	VEE	14'	LEDK



Pin No	Symbol	Pin No	Symbol
1	VSS	11	DB4
2	VDD	12	DB5
3	Vo	13	DB6
4	C/D	14	DB7
5	/RD	15	/CE
6	/WR	16	/RST
7	DB0	17	VEE
8	DB1	18	FS
9	DB2	19	LEDA
10	DB3	20	LEDK