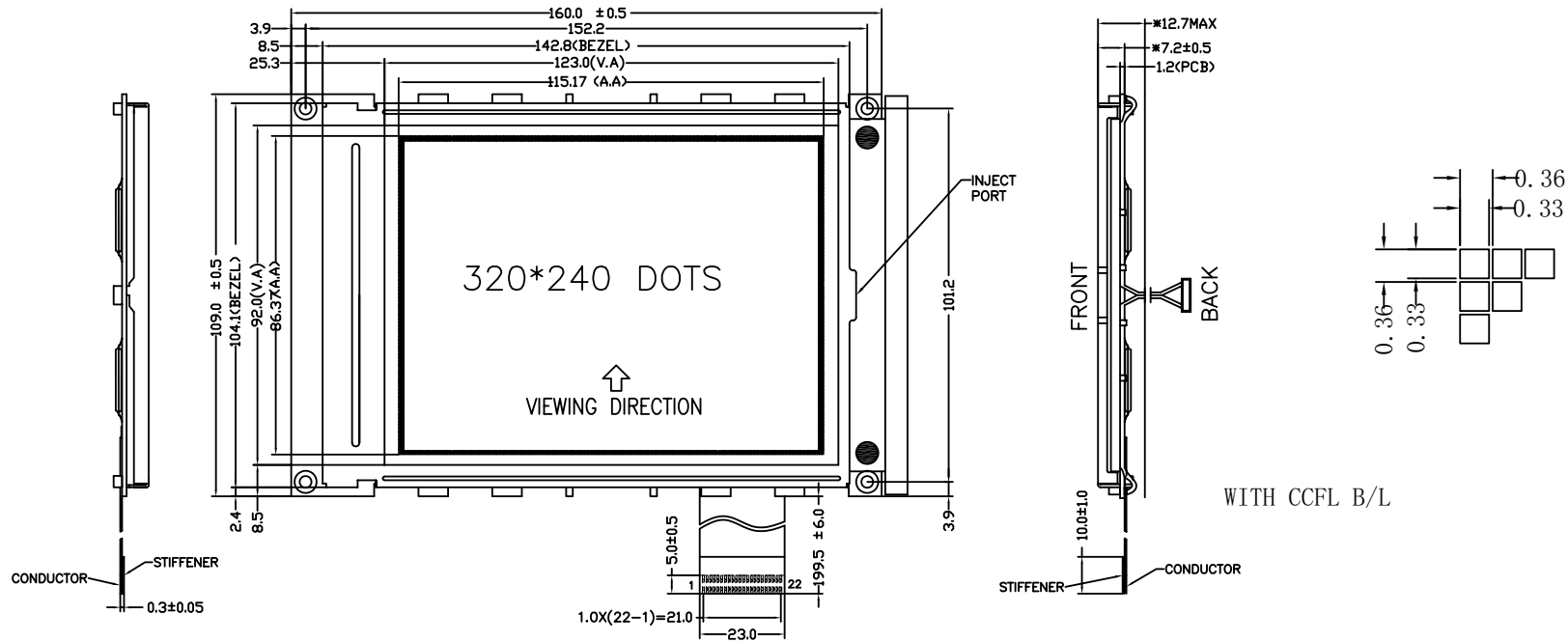




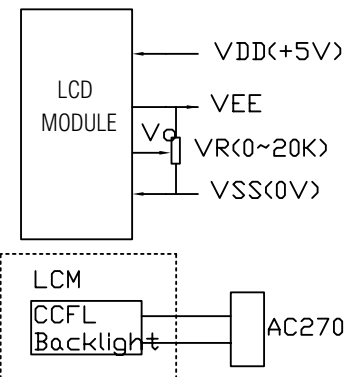
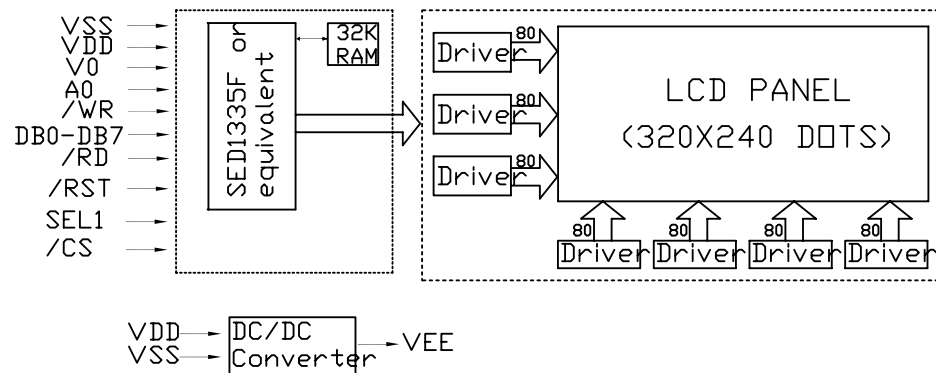
CRYSTALIMAGE Display Technology

RD-320240A

Unmarked tolerance ±0.3



WITH CCFL B/L



Pin No	Symbol	Pin No	Symbol
1	VSS	12	DB5
2	VDD	13	DB6
3	V ₀	14	DB7
4	A0	15	/CS
5	/WR	16	/RST
6	/RD	17	VEE
7	DB0	18	SEL1
8	DB1	19	NC
9	DB2	20	NC
10	DB3	21	NC
11	DB4	22	NC